



**Professional Solutions - Unrivalled Value**

Articulating arms hold screen 3.8" from wall and extend up to 15.5" for variable viewing angles. Smooth tilt adjustments of 15° forward and 5° back with a locking knob for a variety of viewing angles. 6° side to side roll for perfect screen positioning. Makes a secure installation quick and easy, simply hang the screen and turn the pre-assembled securing screws to lock in place. Integrated cable management for clean look.

26" - 55" / 56cm-117cm

100 LB / 45.4 KG

■ **Universal Design / Vesa Compatible**

Fits any hole pattern up to 454x401mm (17.9"x15.8").

■ **Extendable**

Extends from 3.8" to 15.5"

■ **Screen Size**

Fits most 26" to 55" flat panel screens weighing up to 100lb (45.4kg).

■ **Roll Adjustment**

6° side to side roll feature (without tools).

■ **Easy Installation**

Pre-assembled securing screws makes installation fast and easy.

■ **Cable Management**

Integrated cable management for clean look.

■ **Included Hardware**

Pre-sorted hardware pack for easy component selection and installation (hardware for installation to wood studs or concrete surfaces included).

**Functional Specifications**

**Depth from wall:** 3.8" (96mm)

**Swivel:** 55°

**Tilt:** +15°/-5°

**Roll:** 6°

**Mounting Surfaces:** Wood studs, concrete & cinder block (with included hardware). Metal Studs (requires accessories).

**Max Mounting Pattern:**

454.2mm (17.9") width

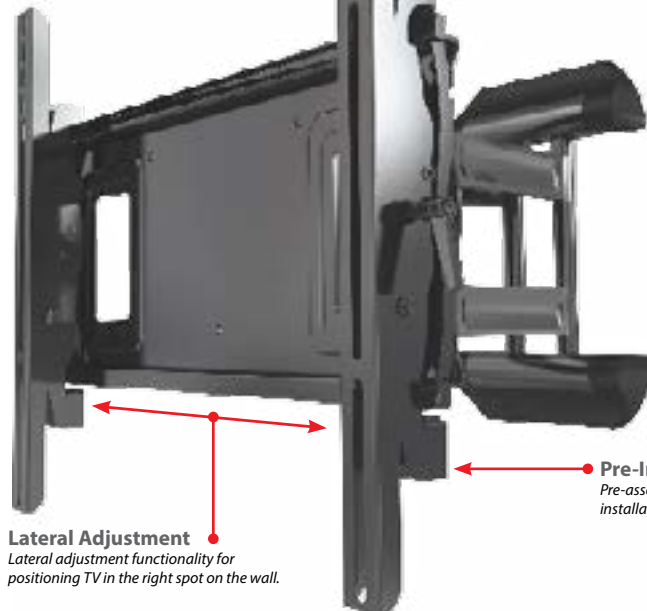
401mm (15.8") height

**Load Capacity:** 100 LB / 45.4 KG

**Warranty:** Limited 10 Years

**Universal Design**

Fits any hole pattern up to 454x401mm (17.9"x15.8"). Max VESA hole pattern 400x400mm.



**Lateral Adjustment**  
Lateral adjustment functionality for positioning TV in the right spot on the wall.



**Full Range of Motion**  
3 pivot joints for variable viewing angles.



**Tilt**  
15° forward and 5° back tilt for optimal viewing angles.



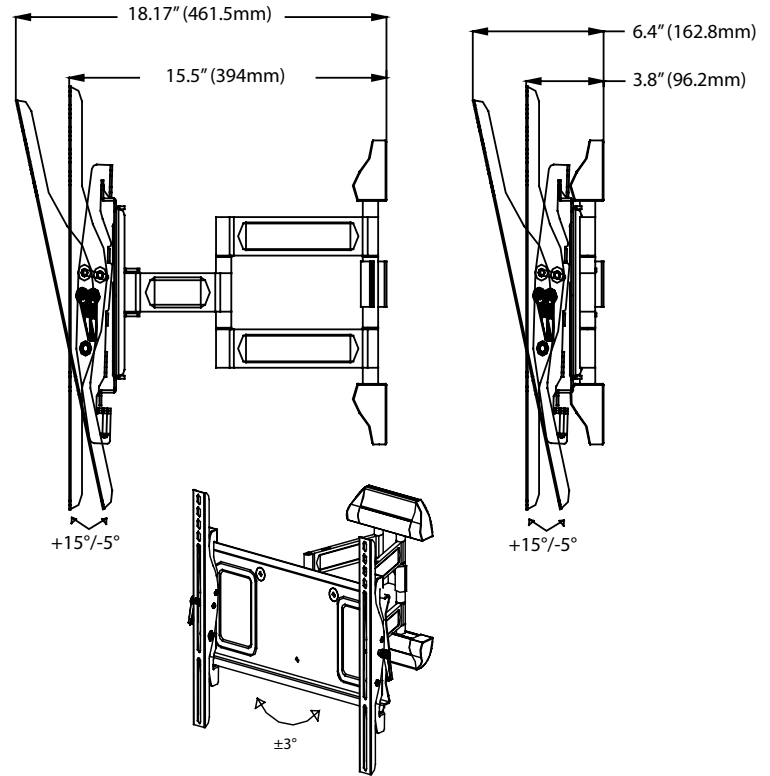
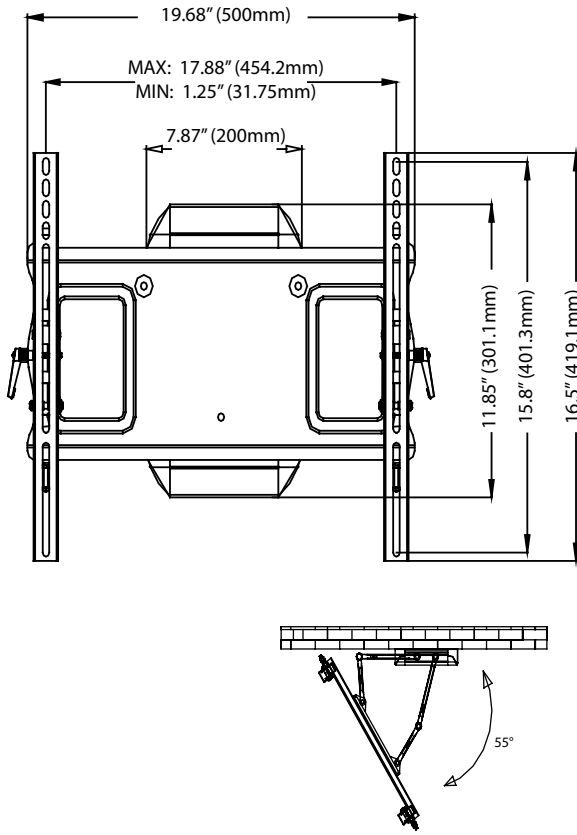
**Mounting Hardware**  
Complete set of screen mounting hardware, labeled for ease of use and ready to go.



# Full Motion Articulating Wall Mount

For 26" to 55" (56-117cm) LCD, LED and Plasma TV's

A46F (BLACK)

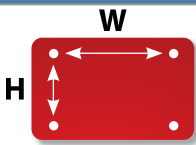


## Product Specifications

## Package Specifications

PRODUCT WEIGHT	LOAD CAPACITY	COLORS	FINISH	PACKAGE SIZE (WxHxD)	SHIP WEIGHT	UPC CODE	PACKAGE CONTENTS
17.6lb (8kg)	100lb (45.4kg)	Black	Scratch resistant powder coating	21" x 14.4" x 5.5" (534 x 366 x 140 mm)	21.5lb (9.8kg)	A46F (Black) 0815885010453	Mount, wall and screen mounting hardware, product manual.

## Mounting Interface



		Universal		VESA									
		Min	Max	W	75mm	100mm	200mm	200mm	300mm	300mm	400mm	400mm	400mm
W		31mm	454mm		X	X	X	X	X	X	X	X	X
H		31mm	401mm	H	75mm	100mm	100mm	200mm	200mm	300mm	200mm	300mm	400mm

## Accessories

### On-wall Cable Management



- WA1 - 1 Shelf
- WA2 - 2 Shelves
- WA3 - 3 Shelves

Component shelf and on-wall cable routing system. Hides cables inside internal channels for a clean look.

### Shelving



- WF1 - 1 Shelf

Single-stud mountable component shelf.

Visit [crimsonav.com](http://crimsonav.com) to see the full line of vidamounts LCD/plasma, projector and TV/monitor mounts. © 2010 Crimson AV LLC. All rights reserved.